

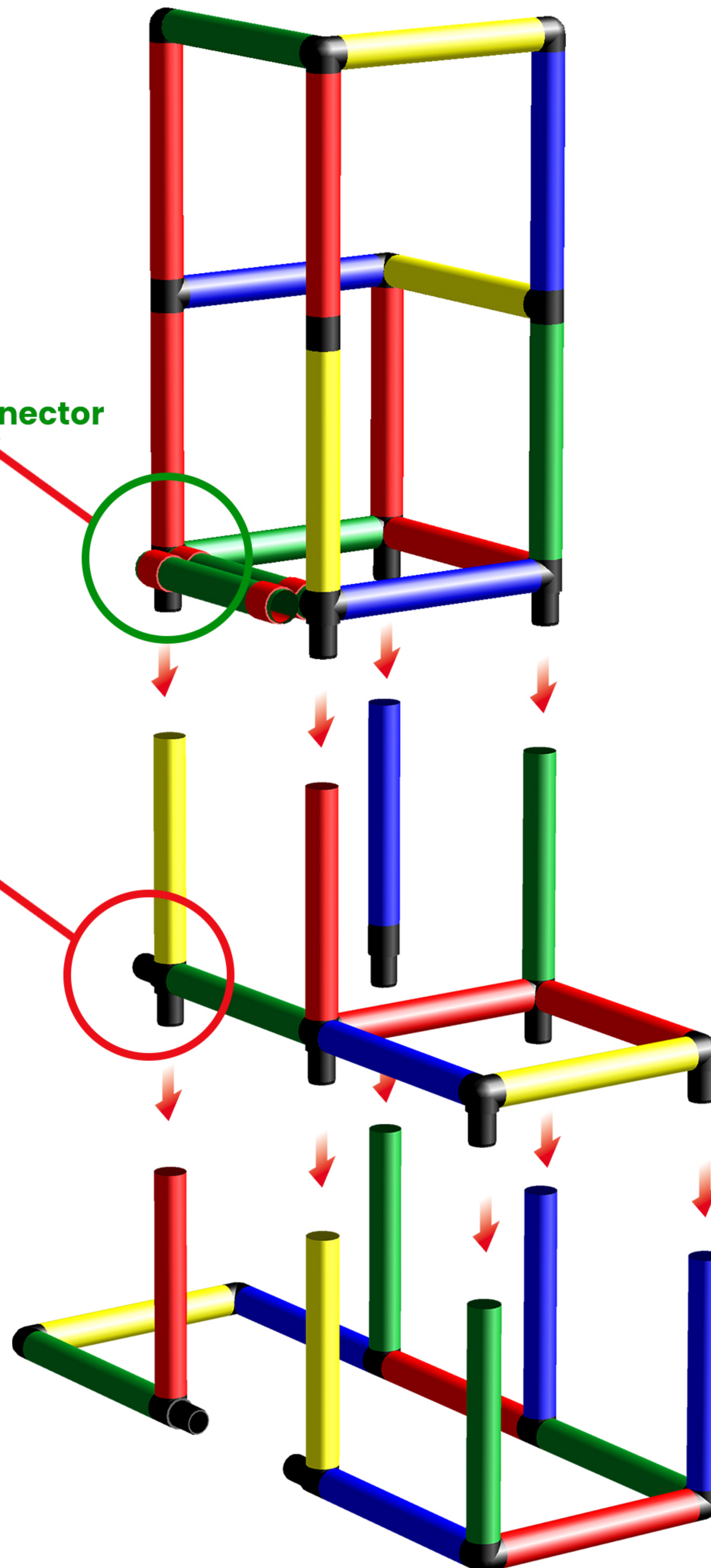


1/6

Assembling **Double Tube Connector**
Safety Manual **1.12**



Assembling **Multi-wheel**
Safety Manual **1.10**



Caution

Please read the **Safety Manual** carefully before you start with assembling!

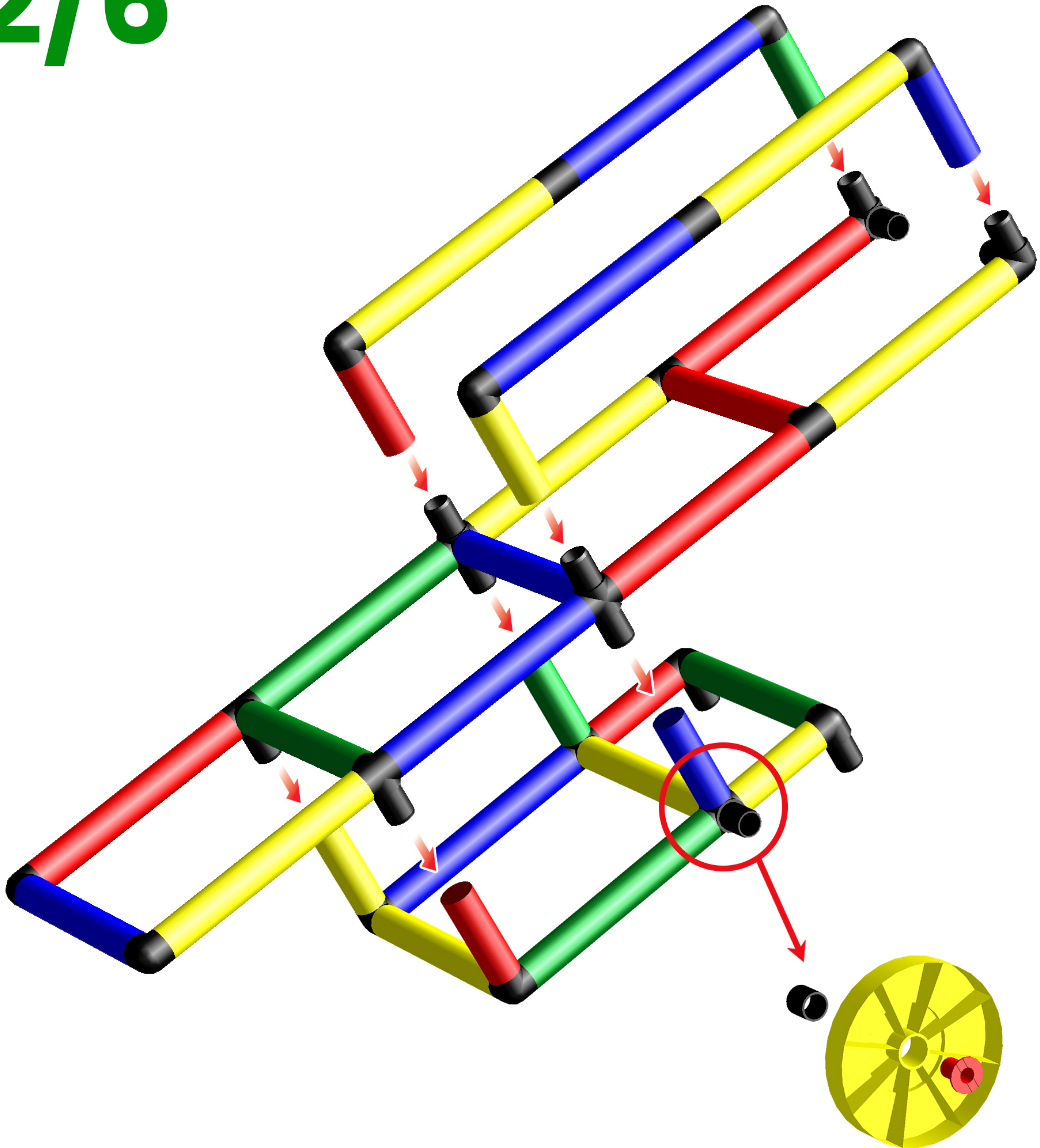
Big tower with mega ramp

To build this model you need:

Evolution



2/6



Assembling **Multi-wheel**
Safety Manual **1.10**

Big tower with mega ramp

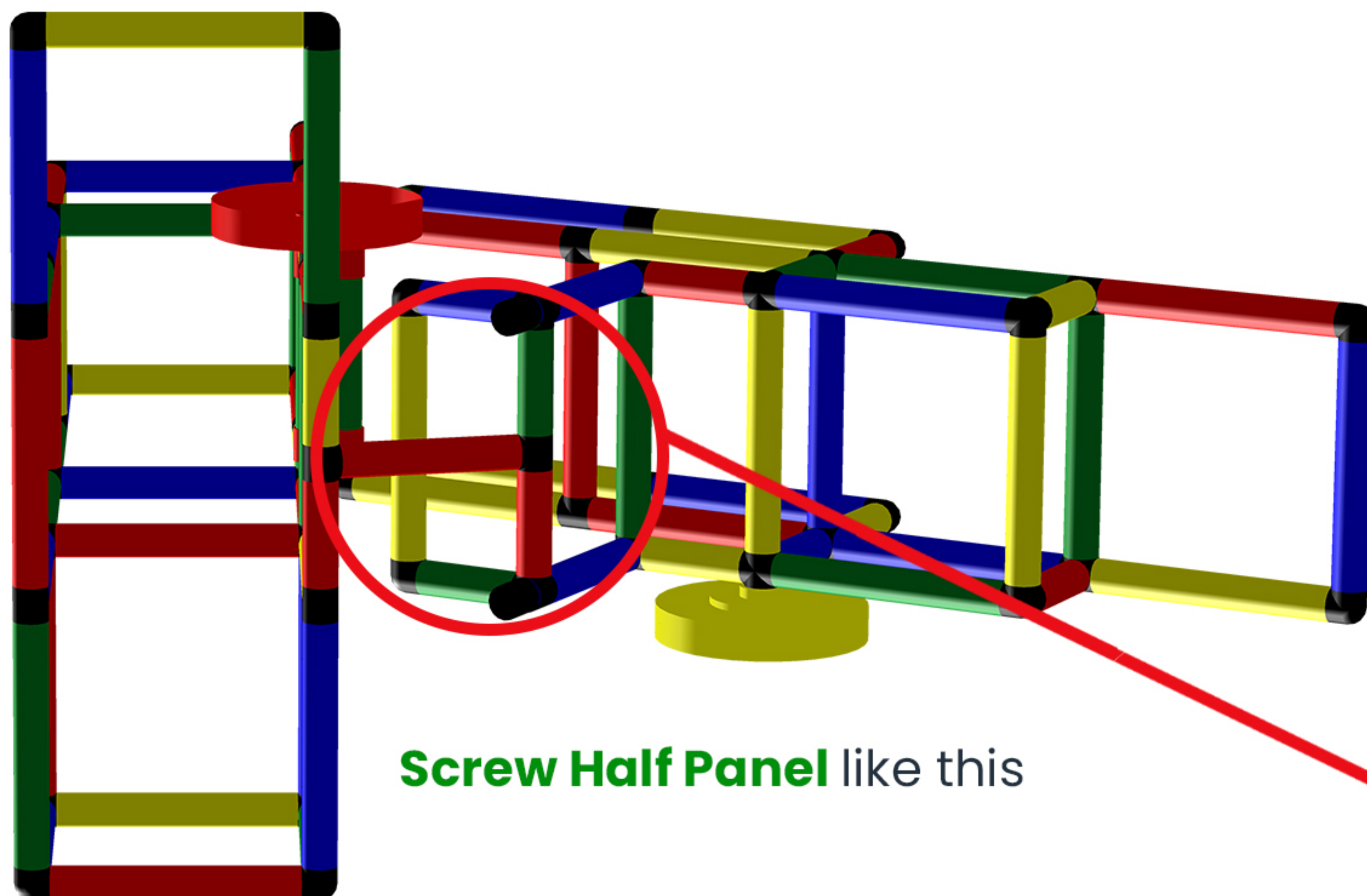
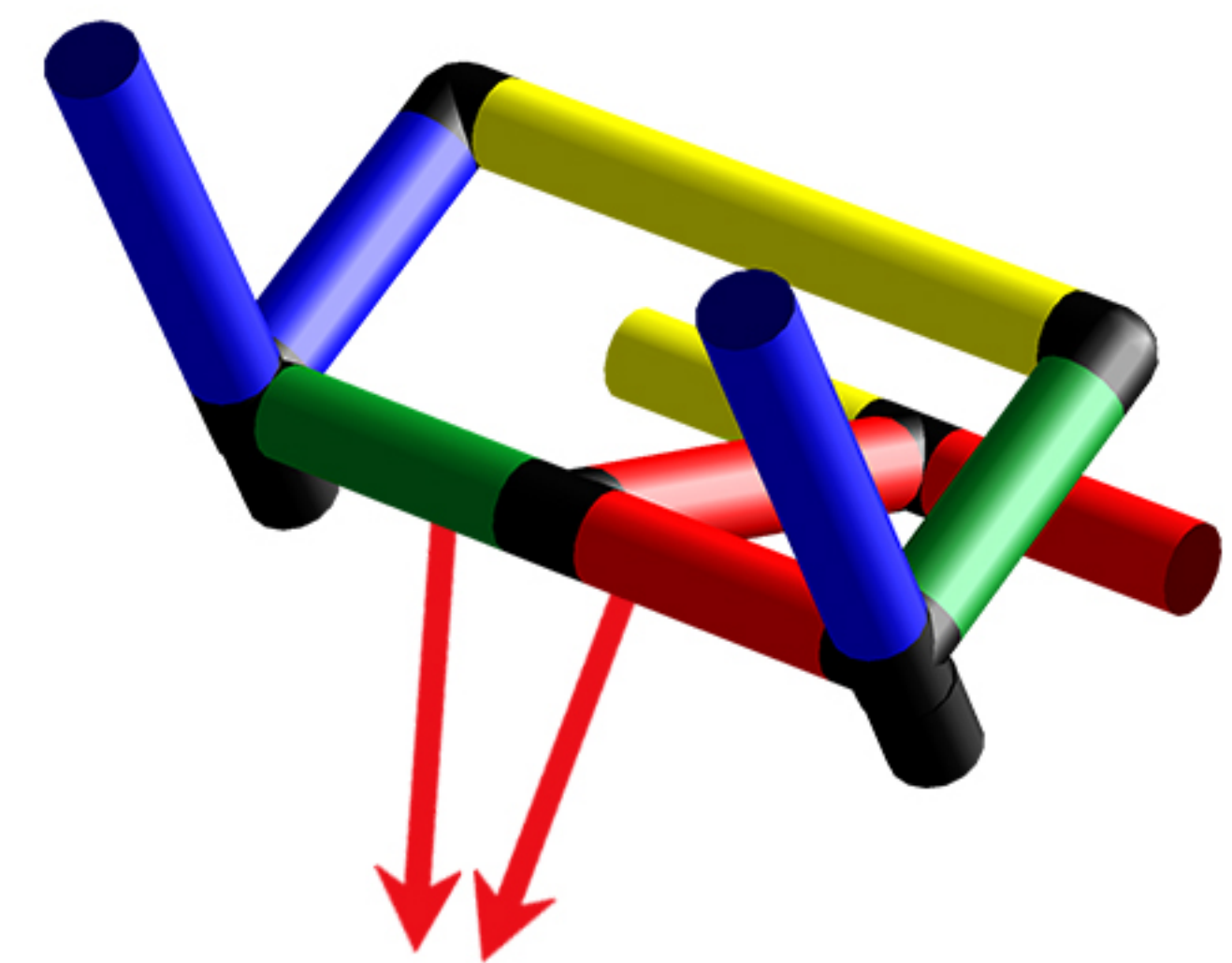
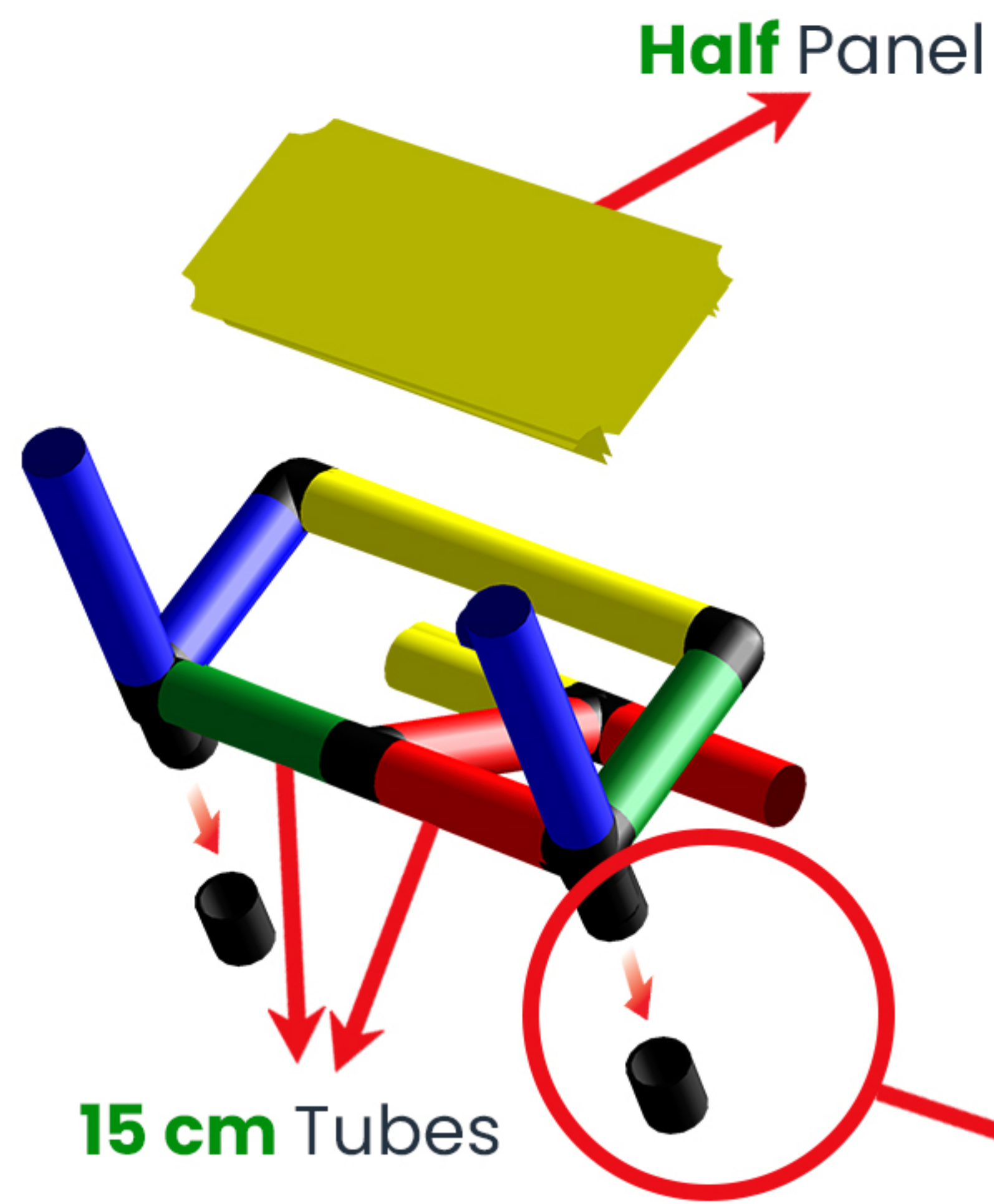
To build this model you need:

Evolution





3/6



Screw Half Panel here



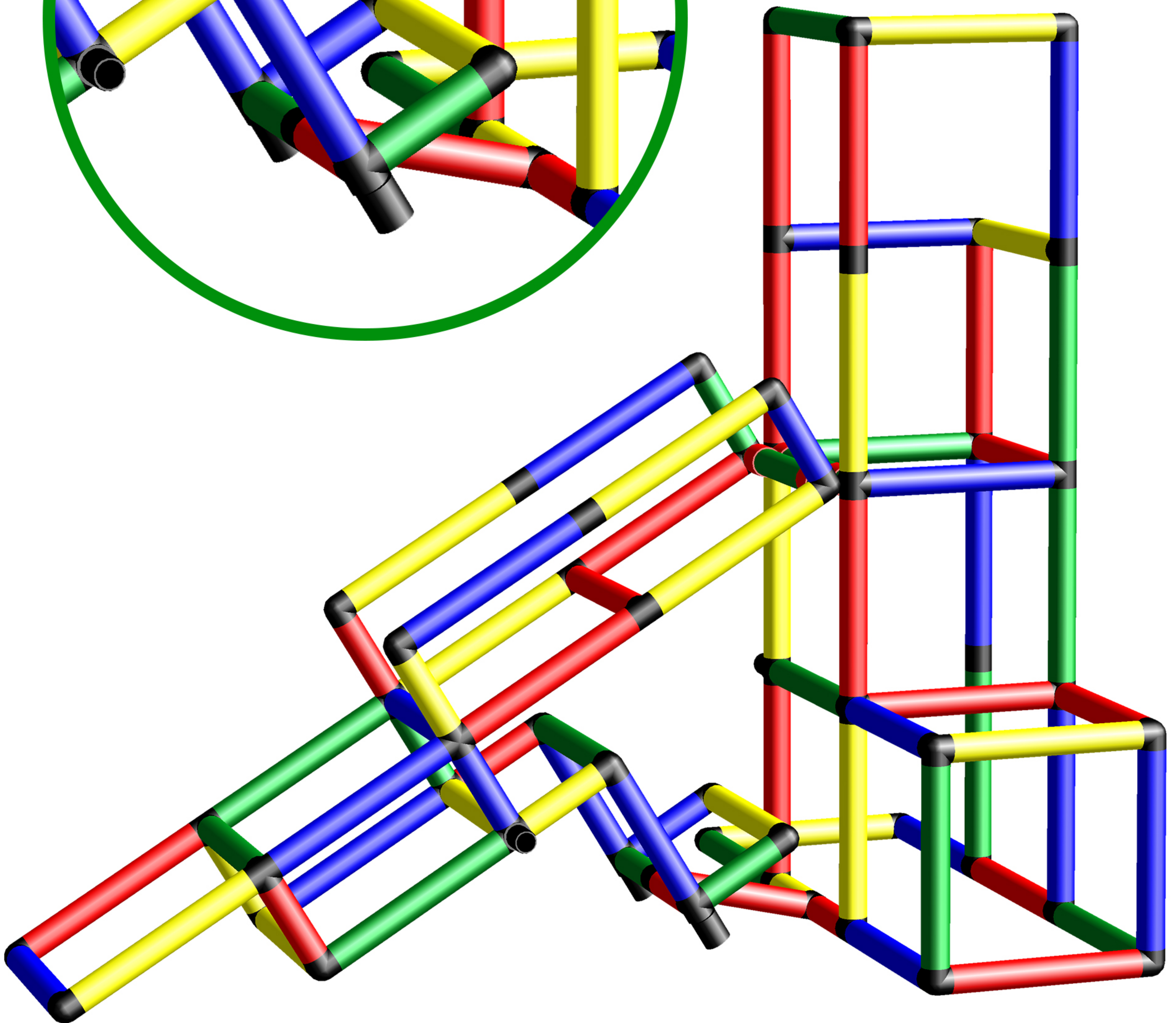
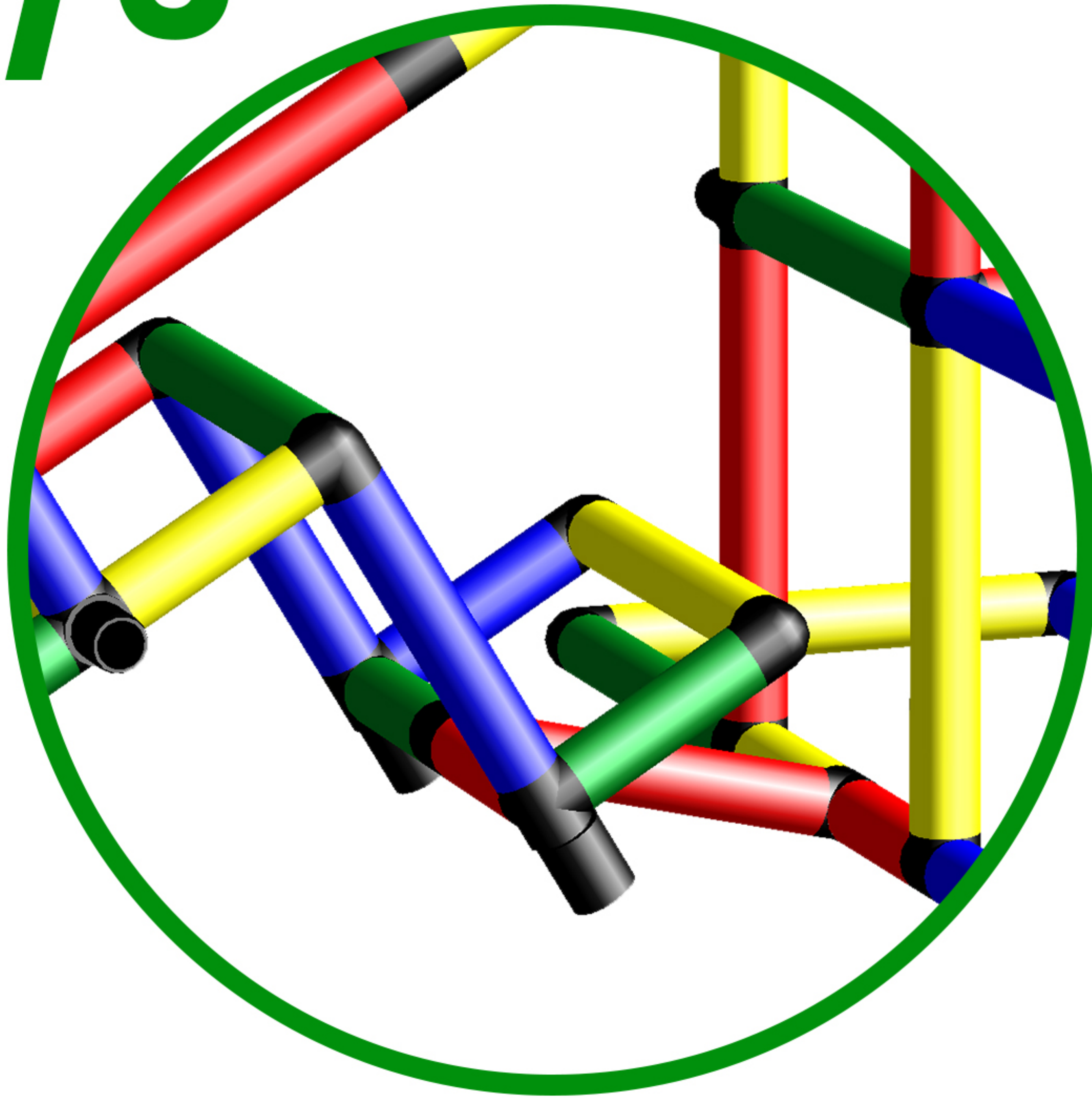
Big tower with mega ramp

To build this model you need:

Evolution



4/6



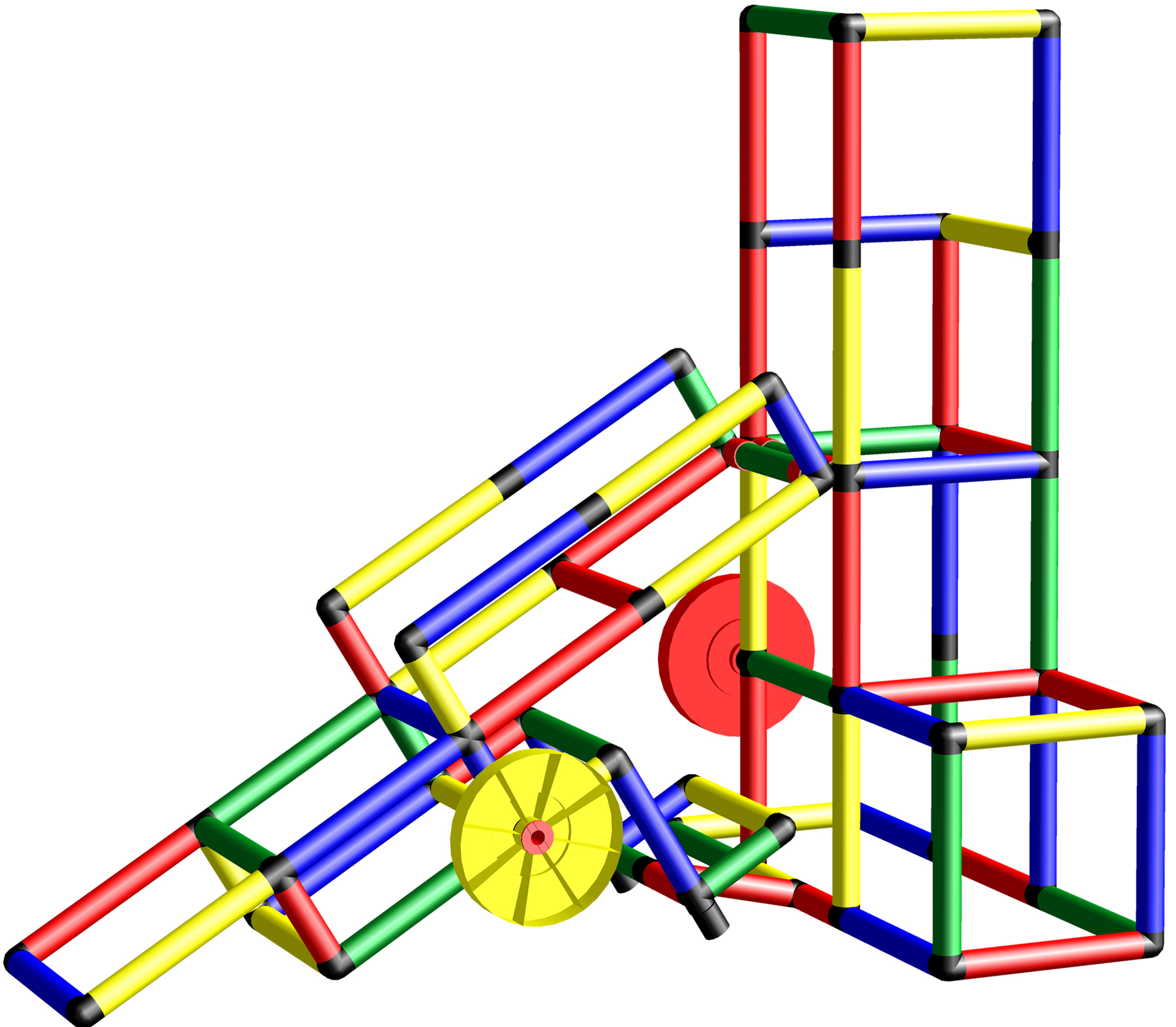
Big tower with mega ramp

To build this model you need:

Evolution



5/6



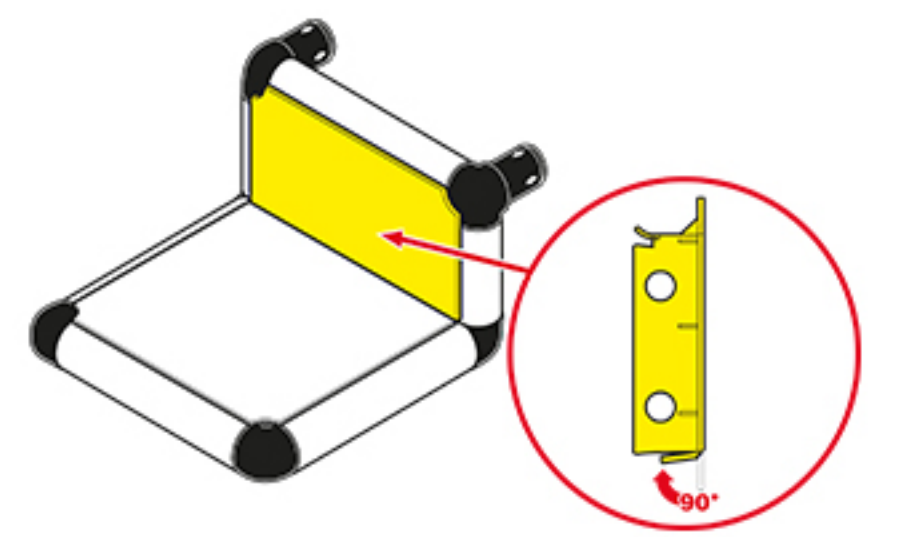
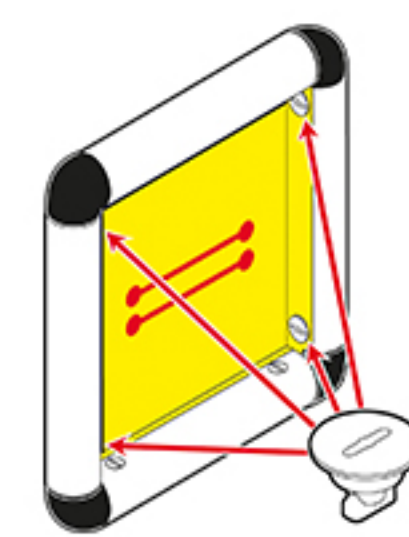
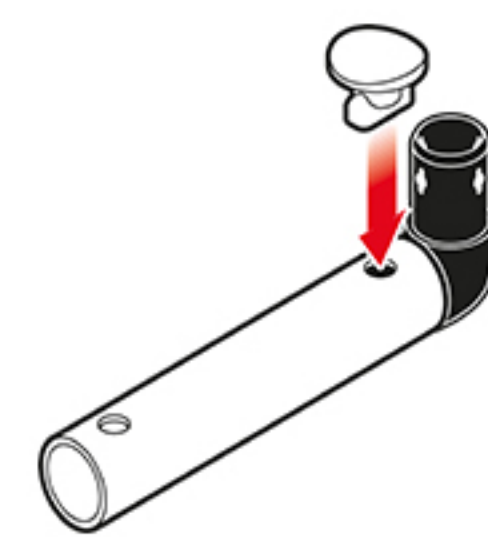
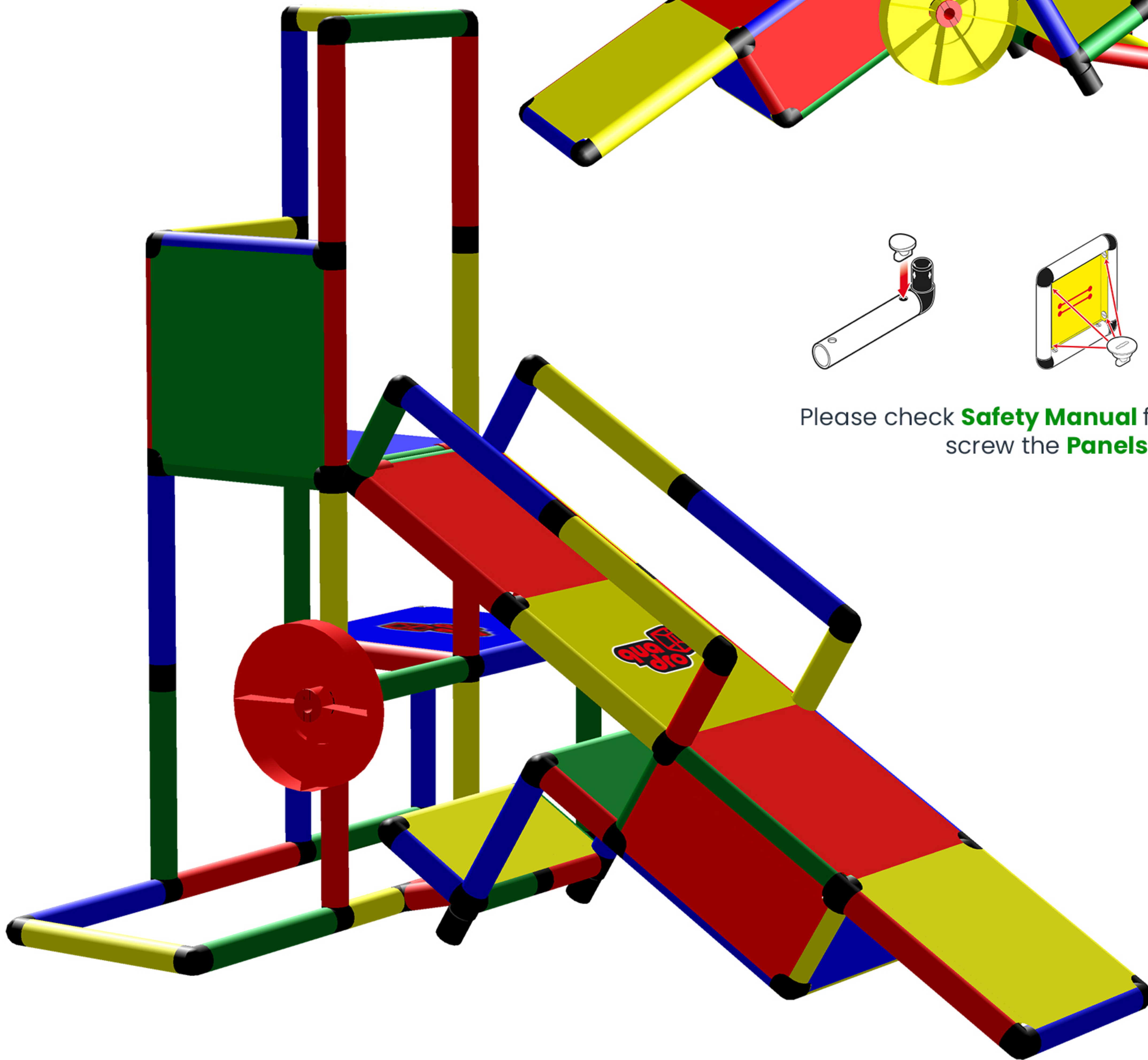
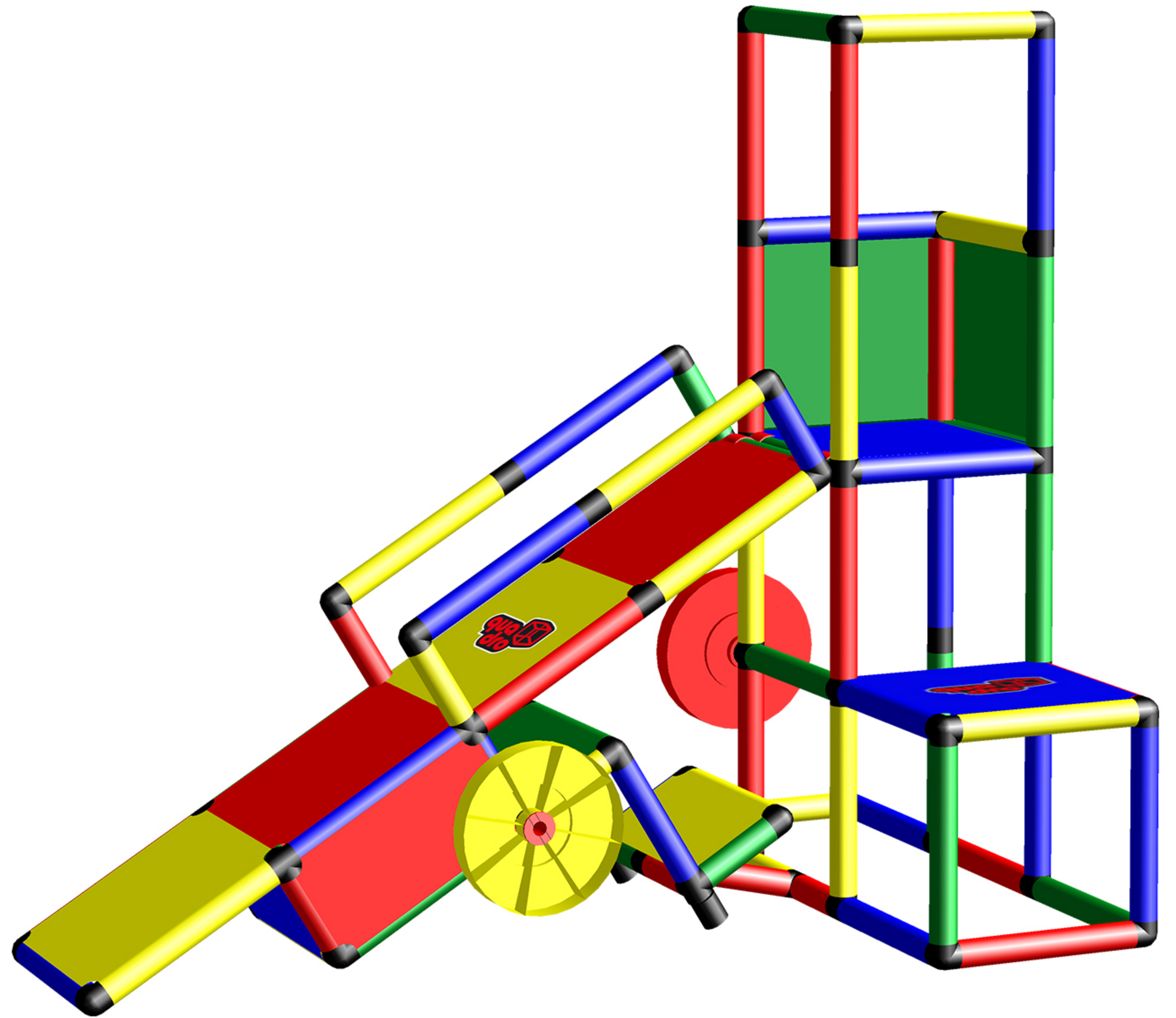
Big tower with mega ramp

To build this model you need:

Evolution



6/6



Please check **Safety Manual** for further details how to
screw the **Panels** and **Tubes**.

Big tower with mega ramp

To build this model you need:

Evolution